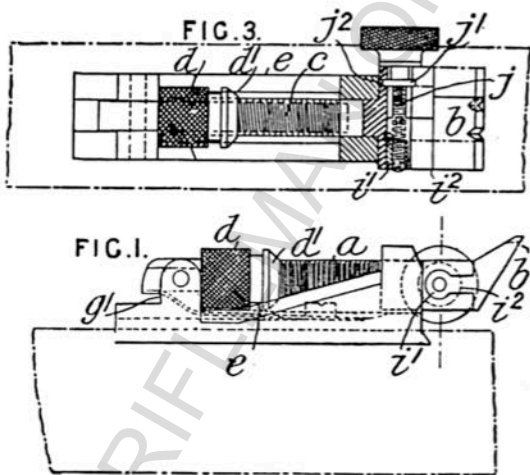


14,588. Birmingham Small Arms Co.,
and Norman, G. July 15.

Sights.—The pivoted leaf *a* of a backsight shown in side elevation in Fig. 1, and in plan and horizontal section in Fig. 3, is adjusted by the rotatable nut *d* mounted on the screwed stem *c* and provided with a conoidal collar *d*¹ engaging the



inclined ramps or flanges *e*. A spring *g*¹ bears upon an extension of the stem behind its pivot. The laterally-adjustable sight-bar *b* is connected to the leaf by a barrel part *i*¹ and shank *i*² fitting into a corresponding channel in the leaf-head. The parts are held together by the adjusting screw *j* with a collar *j*¹ confined within the open-fronted recess *j*² of the leaf-head.